

Swissray



Z-MOTION

UNIVERSAL DIAGNOSTIC
X-RAY SYSTEM



A UNIVERSAL DIAGNOSTIC SUITE THAT MEETS ALL YOUR NEEDS

- Single detector general purpose radiographic system
- Preset positions for fast and convenient workflow
- Extra-wide (100-200 cm) SID range
- Auto-stitching for full-spine or full-leg procedures
- Advanced anti-collision features
- Suite of accessories including mobile Z-Table and Stitching stand

- ✓ FULLY MOTORIZED
- ✓ MANUAL OVERRIDE
- ✓ PRESET POSITIONS
- ✓ AUTO-STITCHING



PERFORMANCE



COMPACT DESIGN



SAFETY



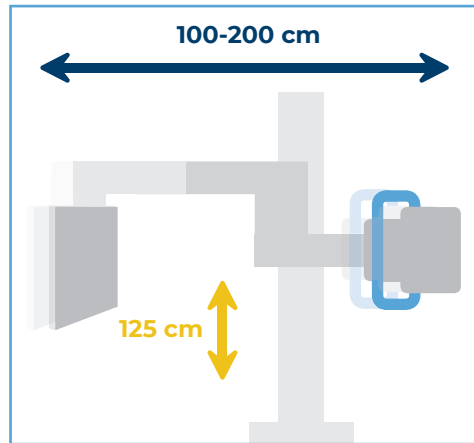
MULTIPURPOSE



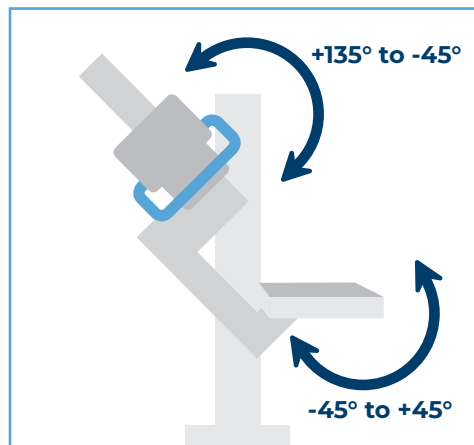
► This brochure features both standard and optional elements.

FEATURES TO INCREASE PATIENT THROUGHPUT, CHOICE OF STUDIES AND OPERATOR COMFORT

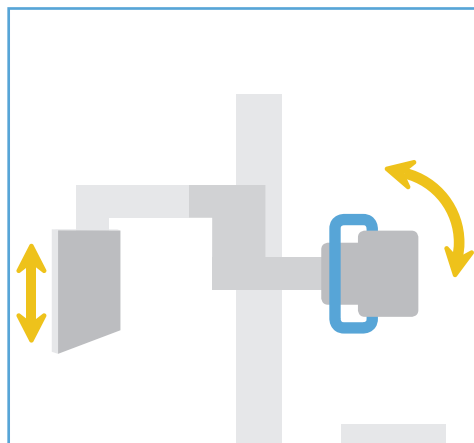
BEST-IN-CLASS SID RANGE



OBLIQUE STUDIES IN 180° RANGE



AUTO-STITCHING FOR FULL-SPINE OR FULL-LEG PROCEDURES - CONSTANT FOCUS POINT (2 OR 3 FRAMES)





TO VIEW VIDEO OF
THE Z-MOTION SYSTEM
SCAN QR CODE





STITCHING STAND

- Reduced patient movement for optimal image quality
- High patient comfort and safety
- Adjustable handles
- Easily maneuverable on 4 castors

TOUCHSCREEN CONSOLE AND TUBE ASSEMBLY

- User programmable preset positions
- Automatic landscape/portrait view
- Access to stitching workflow
- Optional motorized collimator
- Rotating tube assembly (180°) for flexible positioning

FULLY COUNTERBALANCED CONSTRUCTION

- Quick and easy manual positioning
- Low impact motors for maximum patient safety
- Proximity sensors to prevent collision



FULL-FUNCTION REMOTE CONTROL

- Bluetooth wireless operation
- Access to all motorized functions of the system

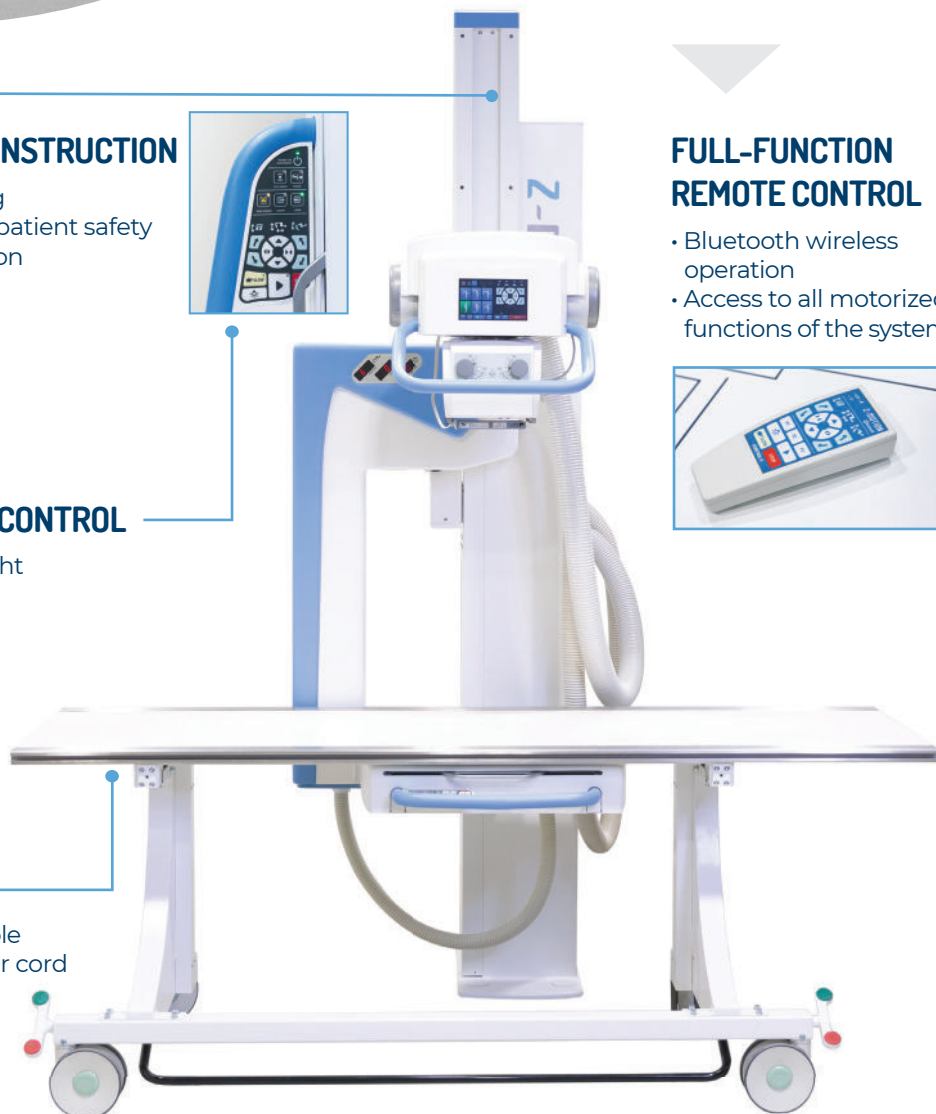


DETECTOR-SIDE HANDLE AND CONTROL

- Precise adjustment to patient height
- Remote collimator light switch
- System status displays
- Configurable brake release switch

Z-TABLE

- Portable four-way radiographic table
- Mechanical brake release, no power cord
- Optimal for lateral exposures with short SID
- Large castors for easy maneuverability



SPECIFICATIONS

Z-MOTION MOTORIZED STAND			
Motorized movements	4 movements with electric brakes and clutches		
Vertical motion range	125 cm (49 1/4") (motorized and manual)		
Adjustable SID	100 to 200 cm (39 1/2" to 78 3/4") (motorized and manual)		
Arm rotation	-45° to +135° (motorized and manual)		
Detector tilt	-45° to +45° (motorized)		
X-ray tube rotation	180° (non-motorized)		
Manual movement	Counterbalanced horizontal, vertical and rotational movement		
Tube-side control	7" LCD screen with automatic image rotation		
Remote control (optional)	Wireless		
FOUR-WAY FLOATING TOP Z-TABLE (OPTIONAL)		HIGH FREQUENCY GENERATOR	
Tabletop size	200 cm x 66 cm (78 3/4" x 26")	Output Power	32, 40, 50, 65 or 80 kW
Fixed tabletop height	76 cm (30")	mA Range	10-1000 mA
Tabletop longitudinal travel	+/- 35 cm (13 3/4")	kVp Range	40-150 kV
Tabletop lateral travel	+/- 13,4 cm (5 1/4")	mAs Range	0.1-800 mAs
Patient load	Max. 150 kg (330 lb.)	Stored energy generators are available up to 50 kW power	
X-RAY TUBE		COLLIMATOR	
300 kHU 0.6-1.2 mm focal spots (other tubes available)		Manual (optional automatic), Laser guided LED collimator	
DIGITAL DETECTORS			
Detector options	43x43 cm (17"x17") or 35x43 cm (14"x17") fixed or wireless panels with various resolutions available		
SYSTEM FOOTPRINT			
Minimum floor space (W x D) without portable table	265 cm x 150 cm (4 m ²) 8'8"x5' (43 ft ²)		
Minimum floor space (W x D) with portable table	265 cm x 265 cm (7 m ²) 8'8"x8'8" (75 ft ²)		
Recommended floor space (W x D) without portable table	300 cm x 220 cm (6,6 m ²) 9'10"x7'3" (71 ft ²)		
Recommended floor space (W x D) with portable table	300 cm x 400 cm (12 m ²) 9'10"x13' (130 ft ²)		
Ceiling height requirement	240 cm (7' 10 1/2")		
POWER REQUIREMENTS (SYSTEM)			
Input Line Voltage (your input line properties may limit generator power)	1x230V (15A) for stored energy generators 3x230V / 3x400V for three-phase generators		

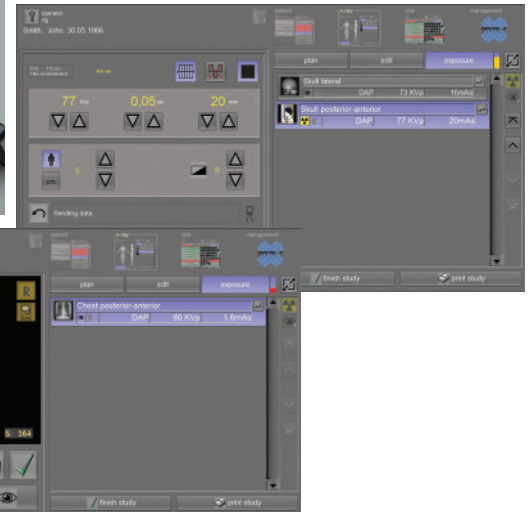
INTEGRATED GENERATOR CONTROL AND IMAGE ACQUISITION

Single console seamless workflow:

- Full Dicom compatibility
- Integrated DAP reporting

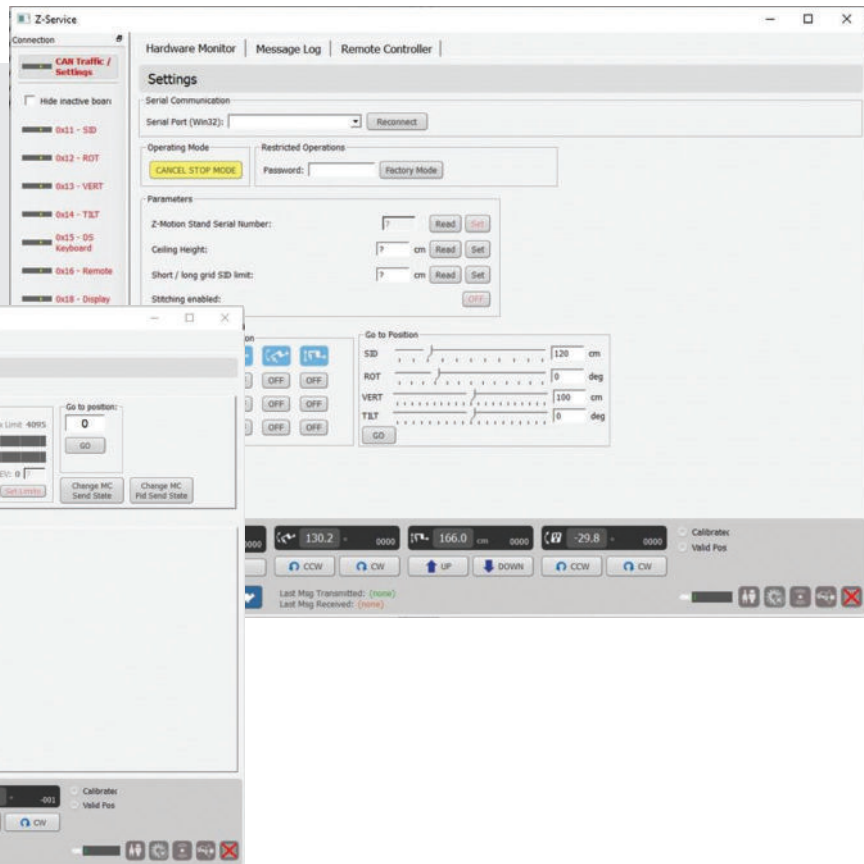
Sophisticated image processing features:

- Detector status indicators
- Wifi signal strength indicator
- Wide variety of compatible detectors, wired or wireless, with various pixel sizes
- Portable solutions with tablet, laptop workstation
- Mini PACS included
- Cloud storage available
- Mobile viewing on any device



REMOTE DIAGNOSTICS

Advanced diagnostic software allows troubleshooting and service to minimize downtime.



Swissray

SWISSRAY

1200 US Highway 22 E
Suite 2000
Bridgewater, NJ 08807

US: 800-903-5543

info@swissrayus.com